

Designed to deliver performance and savings

SLIMFORCE HIGHBAY

SlimForce Highbay provides an unmatched lighting solution for a wide range of high ceiling applications like warehousing, manufacturing, atriums, airport concourse, sports etc. This versatile highbay family gives you multiple options in lumen packs and beam angles, suitable for different lighting requirements. The precision optics and best-in-class CRI ensures higher productivity and reduced manpower errors on site. SlimForce Highbay, with sleek pressure die cast housing and high IP protection, ensures sustained performance throughout the lifetime of the product.



Designed with a high system efficacy of 130 lumens/watt, ensuring savings on operational expenses



Equipped with Philips driver, with a wide voltage range of 120-277V



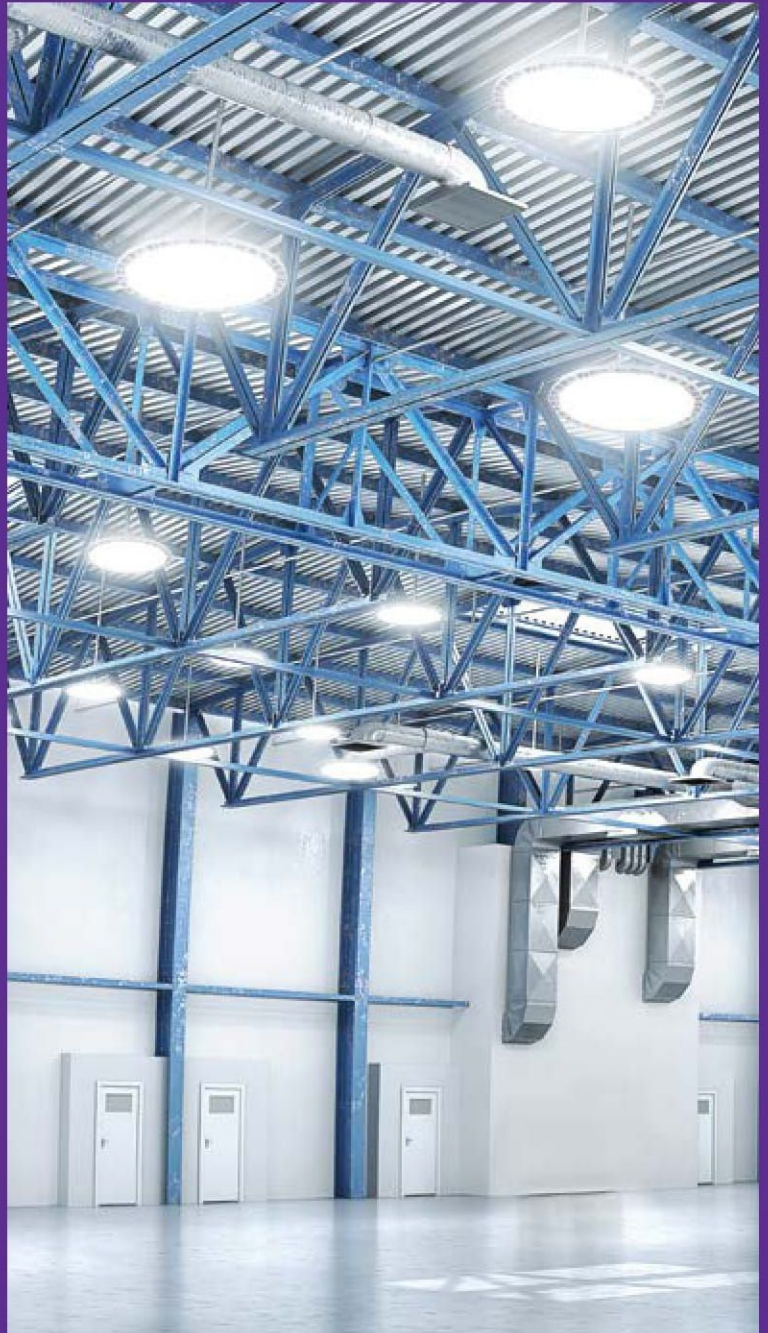
Surge protection of 4KV with IP65, making it suitable for harsh industrial environments



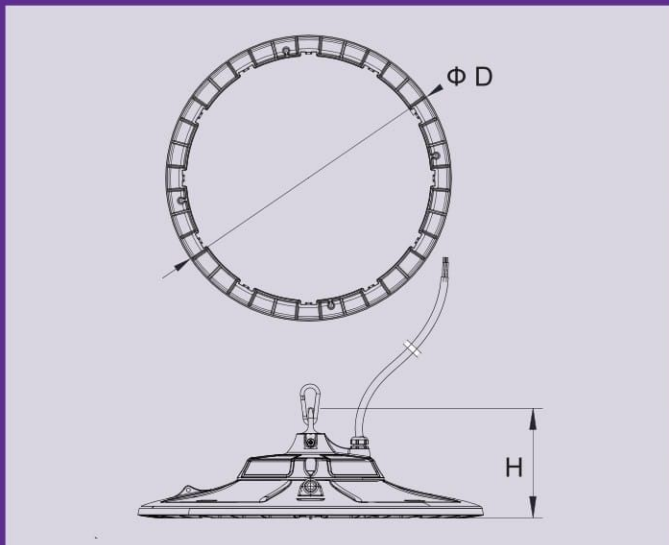
Slim and contemporary design

SPECIFICATIONS

Description	SlimForce Highbay
Lumen Pack	13000 Lm, 19500 Lm, 26000 Lm
CRI	>80
System Wattage	100W, 150W, 200W
IP/ IK	IP65/ IK07
Serviceability	Class B
Mounting	Suspension (Hook included)
Efficacy	130 Lm/W
Driver Protections	4KV Internal
Housing Material / Finishing	Pressure Die Cast Housing
THD	<20%
Operating Voltage	120-277V



PRODUCT DIMENSIONS



ORDERING CODE

12 NC	Description	Wattage (W)	Lumen	Quantity/box	Product dimension (ΦD x Hmm)	Weight (kg.)
911401874281	BY220P LED260S CW PSU GR FG MB ELP	200	26000	1	Φ 420x112mm	3.70
911401874181	BY220P LED260S CW PSU GR FG WB ELP	200	26000	1	Φ 420x112mm	3.70
911401874081	BY220P LED195S CW PSU GR FG MB ELP	150	19500	1	Φ 350x100mm	2.50
911401873981	BY220P LED195S CW PSU GR FG WB ELP	150	19500	1	Φ 350x100mm	2.50
911401873881	BY220P LED130S CW PSU GR FG MB ELP	100	13000	1	Φ 290x100mm	1.99
911401873781	BY220P LED130S CW PSU GR FG WB ELP	100	13000	1	Φ 290x100mm	1.99