

door mounted rotary operator standard IEC IP65 with door interlocking accessory for 3VA1/2 1000



Model	
Product brand name	SENTRON
Product designation	Accessories
Design of the product	Door-coupling rotary operating mechanism
accessories	DOOR-COUPLING ROTARY OPERATING MECHANISM

General technical data	
Protection class IP	IP65

Mechanical Design	
Net weight	3 850 g

Certificates			
General Product Approval	EMC	Declaration of Conformity	other

[Miscellaneous](#)



[Miscellaneous](#)

Further information

Information- and Downloadcenter (Catalogs, Brochures,...)

<http://www.siemens.com/lowvoltage/catalogs>

Industry Mall (Online ordering system)

<https://mall.industry.siemens.com/mall/en/en/Catalog/product?mlfb=3VA9687-0FK21>

Service&Support (Manuals, Certificates, Characteristics, FAQs,...)

<https://support.industry.siemens.com/cs/ww/en/ps/3VA9687-0FK21>

Image database (product images, 2D dimension drawings, 3D models, device circuit diagrams, ...)

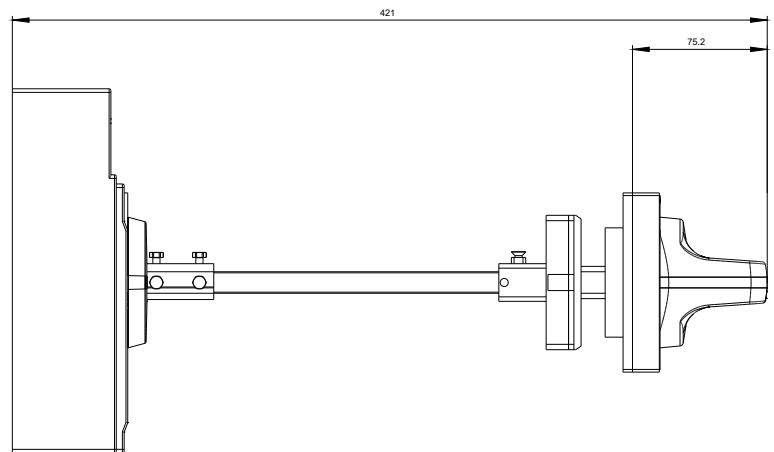
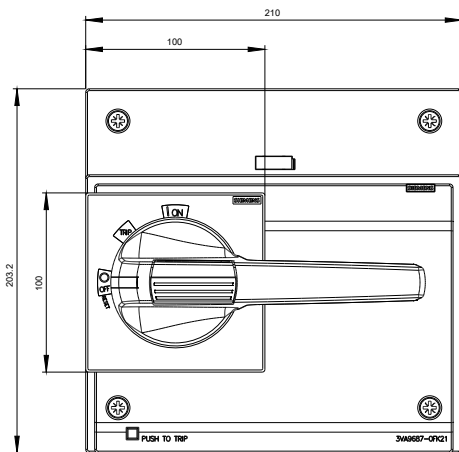
http://www.automation.siemens.com/bilddb/cax_en.aspx?mlfb=3VA9687-0FK21

CAX-Online-Generator

<http://www.siemens.com/cax>

Tender specifications

<http://www.siemens.com/specifications>



last modified:

09/03/2018